

## 2 to 4 Serial Cell Li-ion Battery Protection IC for Secondary Protection

NO.EA-426-181212

### OVERVIEW

The R5641L is an overcharge protection IC for 2- to 4-series cell Li-ion / Li-polymer rechargeable battery pack, with built-in high-accuracy voltage detection circuits and delay circuits. Controlling the supply voltage to the CTLC pin can control the COUT pin output. The shutdown detection can reduce the supply current to the minimum.

### KEY BENEFITS

- Reducing the supply current to 0.2  $\mu$ A or less after shutdown detection can achieve the longer battery life.
- Temperature protection enabled with an external PTC thermistor.
- Be adaptable to 30 V input voltage by using high-voltage process.

### KEY SPECIFICATIONS

- Overcharge Detection Voltage ( $V_{DET1n}^{(1)}$ ): 4.10 V to 4.60 V (5 mV step)
- Overcharge Detection Voltage Accuracy:  $\pm 0.016$  V ( $T_a = 25^\circ\text{C}$ )  
 $\pm 0.025$  V ( $0^\circ\text{C} < T_a < 60^\circ\text{C}$ )
- Overcharge Release Voltage ( $V_{REL1n}^{(1)}$ ):  $V_{DET1n} - 0\text{V}$  to  $V_{DET1n} - 0.4\text{V}^{(2)}$  (50mV step)
- Overcharge Detection Delay Time: 2- / 4- / 6-sec
- Release Condition: Voltage Release Type
- Low Supply Current: Typ. 2.8  $\mu$ A
- Shutdown Current: Max. 0.2  $\mu$ A
- Shutdown Detection Voltage: Typ. 2.5 V  $\pm$  0.3 V / 3.7 V  $\pm$  0.3 V
- 2 to 4 Cells Selectable Battery Protection by External Wirings
- Selectable Timer Reset Delay Function
- Temperature Protection with External PTC Thermistor
- CTLC Pin Detection Delay Time: 2 msec
- Output Type: CMOS Output

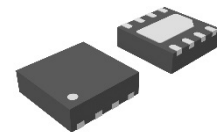
### OPTIONAL FUNCTIONS

User-selectable Delay Time and Function:

Code (\$)	Overcharge Detection Delay Time
A	2 sec
B	4 sec
C	6 sec

Code (*)	CTLC at Shutdown	Timer Reset Delay
C	Disable	Disable
D	Enable	Disable
E	Disable	Enable
F	Enable	Enable

### PACKAGE

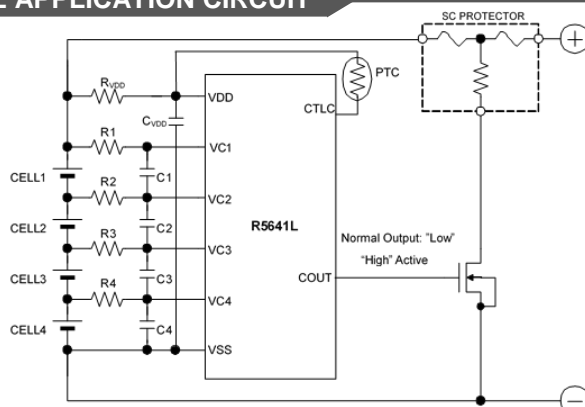


**DFN2020-8C**  
2.0 mm x 2.0 mm x 0.6 mm

### APPLICATIONS

- Li-Ion or Li-Polymer Battery Protection

### TYPICAL APPLICATION CIRCUIT



**4-cell Protection Circuit with PTC Thermistor**

(1)  $V_{DET1n}, V_{REL1n}$ :  $n = 1, 2, 3, 4$

(2) Min. 4.05 V when shutdown detection voltage ( $V_{SH1n}$ ) is 3.7 V.

---

## R5641L

---

NO.EA-426-181212

### SELECTION GUIDE

Overcharge detection / release voltages and delay time are user-selectable options.

#### Selection Guide

Product Name	Package	Quantity per Reel	Pb Free	Halogen Free
R5641Lxxx\$*-TR	DFN2020-8C	3,000 pcs	Yes	Yes

xxx: Specify the combination of the overcharge detection voltage ( $V_{DET1n}$ ), the overcharge release voltage ( $V_{REL1n}$ ), and the shutdown detection voltage ( $V_{SHTn}$ )<sup>(1)</sup>.

$V_{DET1n}$ <sup>(2)</sup>: 4.1 V to 4.6 V in 5 mV step

$V_{REL1n}$ <sup>(1)</sup>:  $V_{DET1n} - 0V$  to  $V_{DET1n} - 0.4V$  in 50 mV step<sup>(3)</sup>

$V_{SHTn}$ <sup>(1)</sup>: 2.5V / 3.7 V

\$. Specify the delay time code defined a combination of the overcharge detection delay time ( $t_{VDET1}$ ), the overcharge release delay time ( $t_{VREL1}$ ), and the CTLC detection delay time ( $t_{CDET}$ ).

Code \$	$t_{VDET1}$ (s)	$t_{VREL1}$ (ms)	$t_{CDET}$ (ms)
A	2	16.5	2
B	4	16.5	2
C	6	16.5	2

\*: Specify the CTLC function and the timer reset delay function.

Code *	CTLC Function at Shutdown	Timer Reset Delay Function
C	Disable	Disable
D	Enable	Disable
E	Disable	Enable
F	Enable	Enable

---

<sup>(1)</sup> Refer to *Product Code Table* for details.

<sup>(2)</sup>  $V_{DET1n}$ ,  $V_{REL1n}$ ,  $V_{SHTn}$ : n = 1, 2, 3, 4

<sup>(3)</sup> Min. 4.05 V when shutdown detection voltage ( $V_{SHTn}$ ) is 3.7 V.

---

## Product Code List

The product code is determined by the combination of the set output voltage (overcharge detector threshold:  $V_{DET1n}$ , overcharge release voltage:  $V_{REL1n}$ , shutdown detector threshold:  $V_{SHTn}$ ), the delay time (overcharge detection delay time:  $t_{VDET1}$ , overcharge release delay time:  $t_{VREL1}$ , CTLC detection delay time:  $t_{CDET}$ ), the CTLC function and the timer reset delay time ( $t_{VTR}$ ) option.

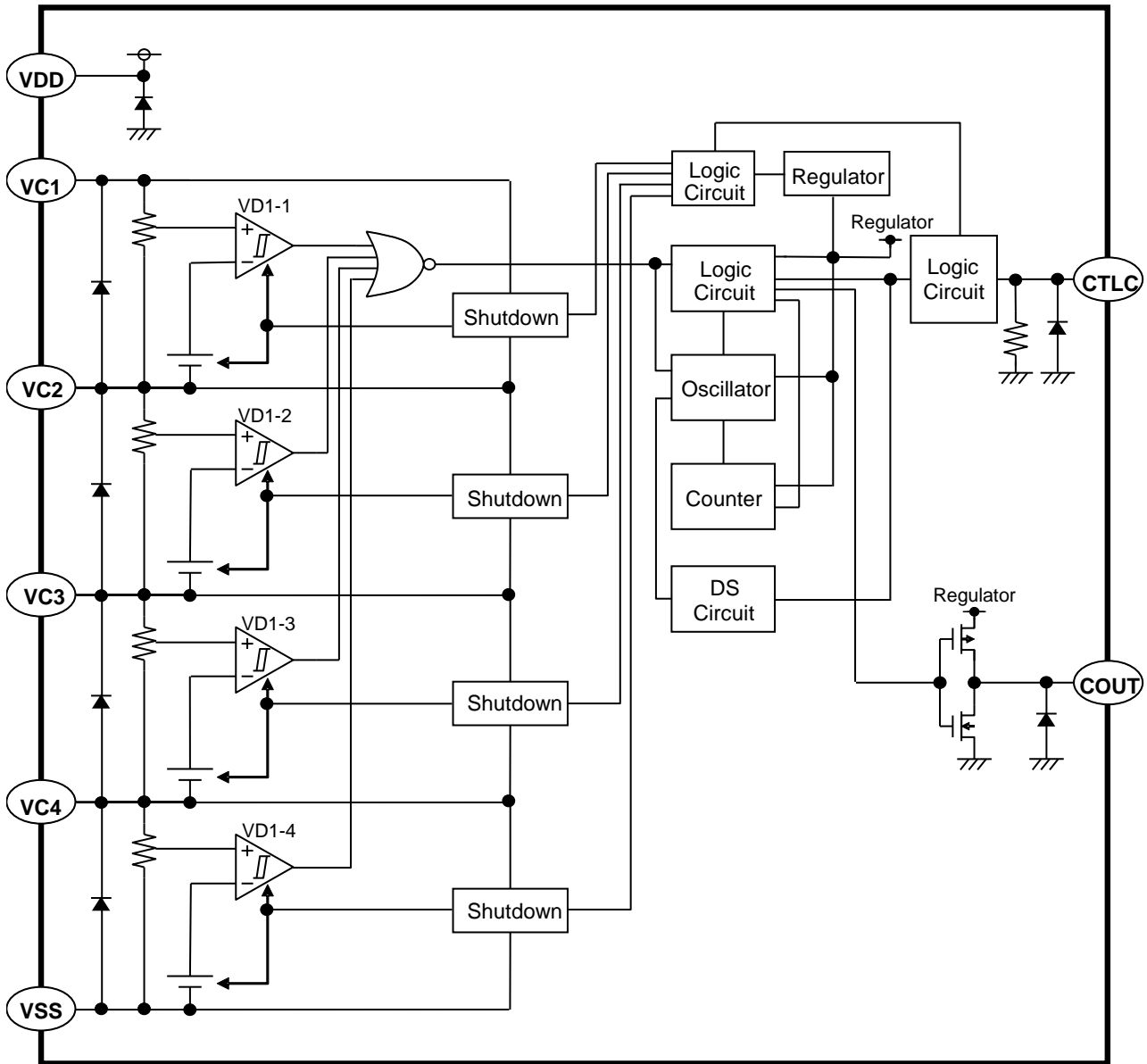
Product Code Table

Product Name	Set Output Voltage (V)			Delay Time			CTLC Function (at Shutdown)	Timer Reset Delay Time (Yes/No <sup>(1)</sup> )
	$V_{DET1n}$	$V_{REL1n}$	$V_{SHTn}$	$t_{VDET1}(s)$	$t_{VREL1}(ms)$	$t_{CDET}(ms)$		
R5641L252AF	4.220	4.120	3.700	2	16.5	2	Enable	Yes
R5641L255AF	4.250	4.150	3.700	2	16.5	2	Enable	Yes
R5641L301CC	4.300	4.000	2.500	6	16.5	2	Disable	No
R5641L302BD	4.350	4.050	2.500	4	16.5	2	Enable	No
R5641L303BD	4.500	4.100	2.500	4	16.5	2	Enable	No
R5641L304BD	4.450	4.050	2.500	4	16.5	2	Enable	No
R5641L306BC	4.550	4.150	2.500	4	16.5	2	Disable	No
R5641L307BC	4.600	4.200	2.500	4	16.5	2	Disable	No
R5641L303BC	4.500	4.100	2.500	4	16.5	2	Disable	No
R5641L352CC	4.350	4.050	3.700	6	16.5	2	Disable	No

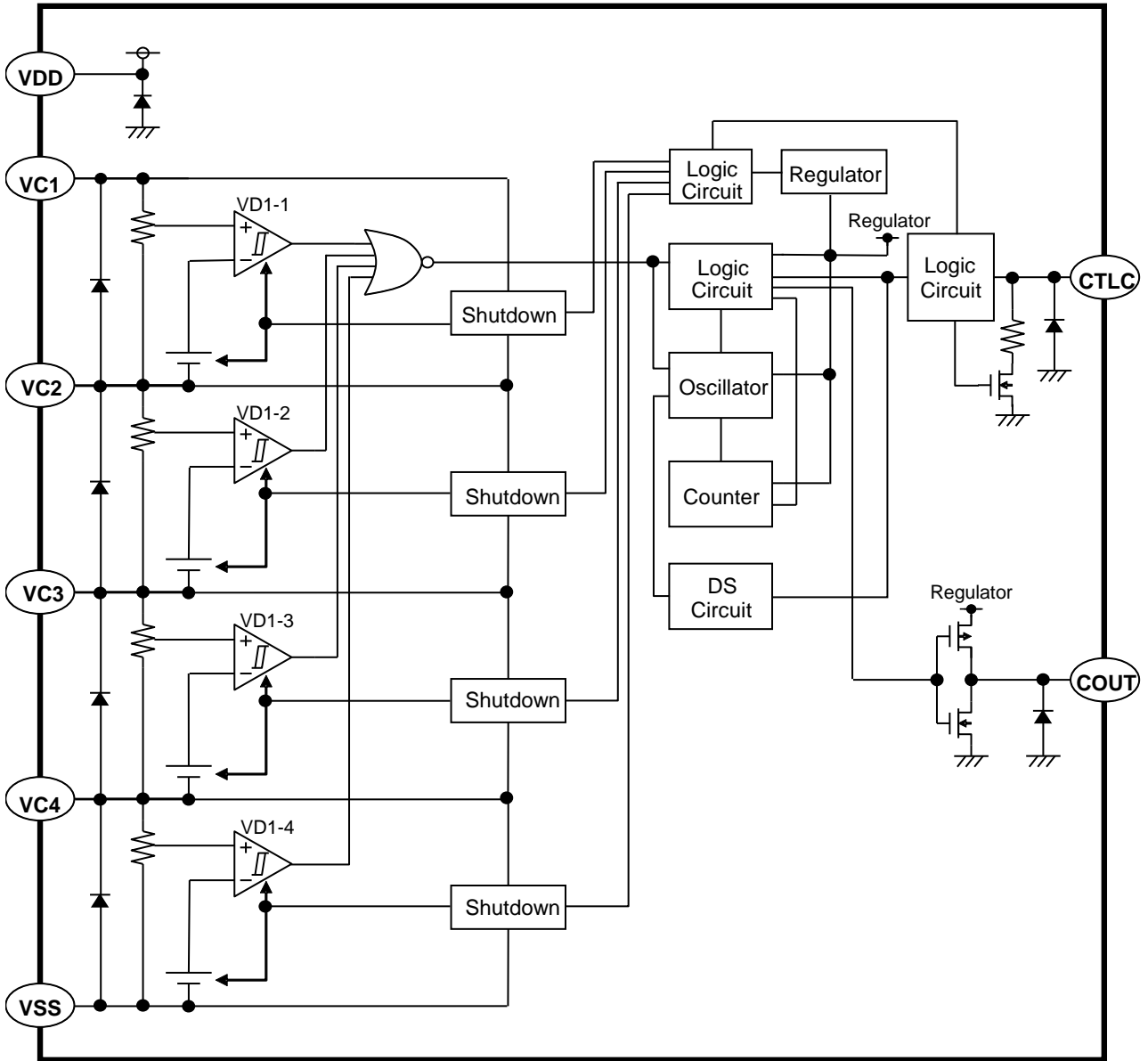
<sup>(1)</sup> "No" means the timer reset delay time option is absence.

# BLOCK DIAGRAM

R5641Lxxx\$D/\$F Block Diagram (Enabled CTLC Function at Shutdown)



R5641Lxxx\$C/\$E Block Diagram (Disabled CTLC Function at Shutdown)

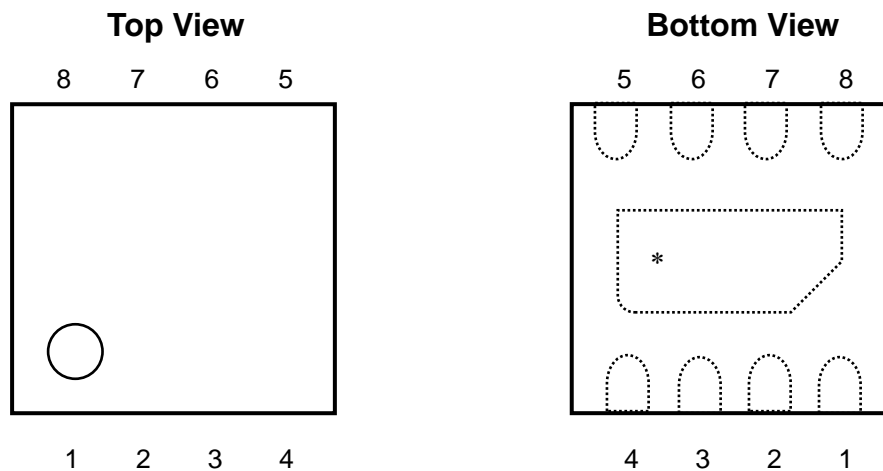


---

**R5641L**

---

NO.EA-426-181212

**PIN DESCRIPTION****DFN2020-8C Pin Configuration**

Pin No.	Symbol	Description
1	VDD	Power Supply Pin,
2	VC1	Positive Terminal for CELL1
3	VC2	Positive Terminal for CELL2
4	VC3	Positive Terminal for CELL3
5	VC4	Positive Terminal for CELL4
6	VSS	Ground Pin
7	CTLG	COU2 Control Pin / Output Delay Time Shortening Pin
8	COU2	Overcharge Detection Output Pin, CMOS Output

\*The tab on the bottom of the package is not connected with the IC chip, so the tab should be left open.

**ABSOLUTE MAXIMUM RATINGS**(Ta = 25°C, V<sub>SS</sub> = 0V)

Symbol	Item	Rating	Unit
V <sub>DD</sub>	Supply Voltage	-0.3 to 30	V
V <sub>C1</sub>	Positive Terminal Voltage for CELL1	V <sub>C2</sub> -0.3 to V <sub>C2</sub> +6.5	V
V <sub>C2</sub>	Positive Terminal Voltage for CELL2	V <sub>C3</sub> -0.3 to V <sub>C3</sub> +6.5	V
V <sub>C3</sub>	Positive Terminal Voltage for CELL3	V <sub>C4</sub> -0.3 to V <sub>C4</sub> +6.5	V
V <sub>C4</sub>	Positive Terminal Voltage for CELL4	-0.3 to 6.5	V
V <sub>CTL</sub>	CTL Pin Voltage	-0.3 to 30	V
V <sub>COU</sub>	COU Pin Output Voltage	-0.3 to V <sub>OH1</sub> +0.3	V
P <sub>D</sub>	Power Dissipation <sup>(1)</sup> (DFN2020-8C, JEDEC STD.51-7)	1400	mW
T <sub>j</sub>	Junction Temperature Range	-40 to 125	°C
T <sub>stg</sub>	Storage Temperature Range	-55 to 125	°C

**ABSOLUTE MAXIMUM RATINGS**

Electronic and mechanical stress momentarily exceeded absolute maximum ratings may cause the permanent damages and may degrade the life time and safety for both device and system using the device in the field. The functional operation at or over these absolute maximum ratings is not assured.

**RECOMMENDED OPERATING CONDITION**

Symbol	Item	Rating	Unit
V <sub>DD</sub>	Operating Input Voltage	4.0 to 20	V
T <sub>a</sub>	Operating Temperature Range	-40 to 85	°C

**RECOMMENDED OPERATING CONDITIONS**

All of electronic equipment should be designed that the mounted semiconductor devices operate within the recommended operating conditions. The semiconductor devices cannot operate normally over the recommended operating conditions, even if when they are used over such conditions by momentary electronic noise or surge. And the semiconductor devices may receive serious damage when they continue to operate over the recommended operating conditions.

<sup>(1)</sup> Refer to *POWER DISSIPATION* in *SUPPLEMENTARY ITEMS* for detail information.

## R5641L

NO.EA-426-181212

## ELECTRICAL CHARACTERISTICS

$V_{CELLn} = CELLn$  (Ex.  $V_{CELL1}$  is a voltage difference between VC1 and VC2),  $n = 1, 2, 3, 4$ , unless otherwise noted. The specifications surrounded by   are guaranteed by Design Engineering at  $0^{\circ}\text{C} \leq T_a \leq 60^{\circ}\text{C}$ .

### R5641L Electrical Characteristics

( $T_a = 25^{\circ}\text{C}$ )

Symbol	Parameter	Conditions	Ratings			Unit	Circuit (1)
			Min.	Typ.	Max.		
$V_{DET1n}$	CELLn overcharge detection voltage	at rising edge of voltage	$V_{DET1n}$ -0.016V <span style="border: 1px solid black; padding: 0 2px;"> </span> -0.025V	$V_{DET1n}$	$V_{DET1n}$ +0.016V <span style="border: 1px solid black; padding: 0 2px;"> </span> +0.025V	V	A
$V_{REL1n}$	CELLn overcharge release voltage	at falling edge of voltage	$V_{REL1n}$ -0.050V	$V_{REL1n}$	$V_{REL1n}$ +0.050V	V	A
$t_{VDET1}$	Overcharge detection delay time	$V_{CELLn} = V_{DET1n} - 0.1\text{V}$ ( $n=2,3,4$ ) $V_{CELL1} = V_{DET1n} - 0.1\text{V}$ →4.7V	$t_{VDET1}$ x 0.8	$t_{VDET1}$	$t_{VDET1}$ x 1.2	s	B
$t_{VD1DS}$	Overcharge detection delay time at delay shortening mode	$V_{CELLn} = V_{DET1n} - 0.1\text{V}$ ( $n=2,3,4$ ) $V_{CELL1} = V_{DET1n} - 0.1\text{V}$ →4.7V $V_{CTLc} = V_{DD} + 1.5\text{V}$	0.5	4	8	ms	B
$t_{VREL1}$	Overcharge release delay time	$V_{CELLn} = V_{REL1n} - 0.1\text{V}$ ( $n=2,3,4$ ) $V_{CELL1} = 4.7\text{V}$ → $V_{REL1n} - 0.1\text{V}$	$t_{VREL1}$ x 0.8	$t_{VREL1}$	$t_{VREL1}$ x 1.2	ms	B
$t_{VTR}$	Overcharge detection timer reset delay time (2)	$V_{CELLn} = V_{DET1n} + 0.05\text{V}$ → $V_{REL1n} - 0.10\text{V}$ → $V_{DET1n} + 0.05\text{V}$ → $V_{REL1n} - 0.10\text{V}$	2	6	10	ms	B
$V_{SHTn}$	Shutdown detection voltage	at falling edge of voltage	$V_{SHTn}$ -0.3V	$V_{SHTn}$	$V_{SHTn}$ +0.3V	V	C
$V_{IH}$	CTLc pin input voltage, high		$V_{DD}$ +1.0V			V	D
$V_{IL}$	CTLc pin input voltage, low	$V_{DD} = 4\text{V}$ or more			$V_{DD}$ -2.0V	V	D
$t_{CDET}$	CTLc pin detection delay time	$V_{CELLn} = 4.0\text{V}$ $V_{CTLc} = 16.0\text{V}$ →13.0V For CTLc enabled product (3) $V_{CELLn} = V_{SHTn} - 0.4\text{V}$ $V_{CTLc} = V_{DD} + 0\text{V}$ → $V_{DD} - 3\text{V}$	$t_{CDET}$ x 0.8	$t_{CDET}$	$t_{CDET}$ x 1.2	ms	D
$I_{CTLc}$	CTLc pin current	$V_{CELLn} = 4.0\text{V}$ $V_{CTLc} = 16.0\text{V}$ For CTLc enabled product (3) $V_{CELLn} = 2.0\text{V}$ , $V_{CTLc} = 8.0\text{V}$ For CTLc disabled product (3) $V_{CELLn} = 2.0\text{V}$ , $V_{CTLc} = 8.0\text{V}$	1.2 0.6 -0.2	1.6 0.8	2.4 1.2 0.2	$\mu\text{A}$	D
$V_{OL}$	COUt pin Nch. ON voltage1	$I_{OL} = 50\ \mu\text{A}$ , $V_{CELLn} = V_{DET1n} - 0.1\text{V}$		0.08	0.5	V	E
$V_{OH1}$	COUt pin Pch. ON voltage1	$I_{OH} = -1\ \mu\text{A}$ , $V_{CELLn} = 4.7\text{V}$	4.0	4.7	5.4	V	F
$V_{OH2}$	COUt pin Pch. ON voltage2	$I_{OH} = -50\ \mu\text{A}$ , $V_{CELLn} = 4.7\text{V}$	$V_{OH1}$ -0.5V	$V_{OH1}$ -0.14V		V	G

(1) Refer to TEST CIRCUITS for detail information.

(2) For the timer reset delay function enabled product only

(3) At shutdown



$V_{CELLn} = CELLn$  (Ex.  $V_{CELL1}$  is a voltage difference between VC1 and VC2),  $n = 1, 2, 3, 4$ , unless otherwise noted. The specifications surrounded by  are guaranteed by Design Engineering at  $0^{\circ}\text{C} \leq T_a \leq 60^{\circ}\text{C}$ .

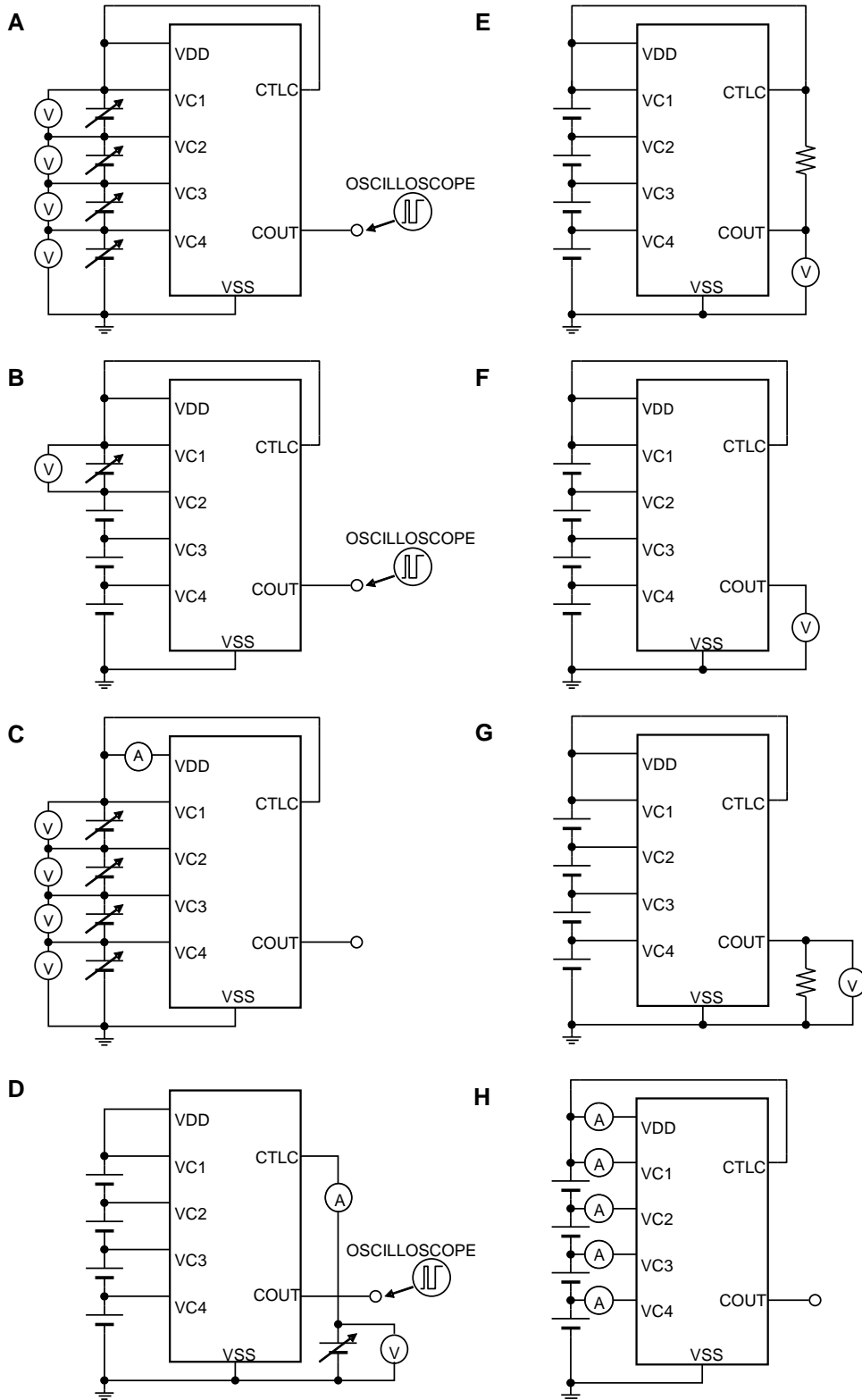
**R5641L Electrical Characteristics (Continued)**

(Ta = 25°C)

Symbol	Parameter	Conditions	Ratings			Unit	Circuit (1)
			Min.	Typ.	Max.		
I <sub>SHT</sub>	Shutdown current	$V_{CELLn} = V_{SHTn} - 0.4\text{V}$			0.2	μA	H
I <sub>SS</sub>	Supply current	$V_{CELLn} = 4.0\text{V}$ (the total current value of I <sub>VDD</sub> and I <sub>VC1</sub> )		2.8	5.0	μA	H
I <sub>VC1</sub>	VC1 pin current	$V_{CELLn} = V_{DET1n} - 0.1\text{V}$		1.0	2.0	μA	H
I <sub>VC2</sub>	VC2 pin current	$V_{CELLn} = V_{DET1n} - 0.1\text{V}$	-0.3		0.3	μA	H
I <sub>VC3</sub>	VC3 pin current	$V_{CELLn} = V_{DET1n} - 0.1\text{V}$	-0.3		0.3	μA	H
I <sub>VC4</sub>	VC4 pin current	$V_{CELLn} = V_{DET1n} - 0.1\text{V}$	-0.3		0.3	μA	H

(1) Refer to *TEST CIRCUITS* for detail information.

Test Circuits



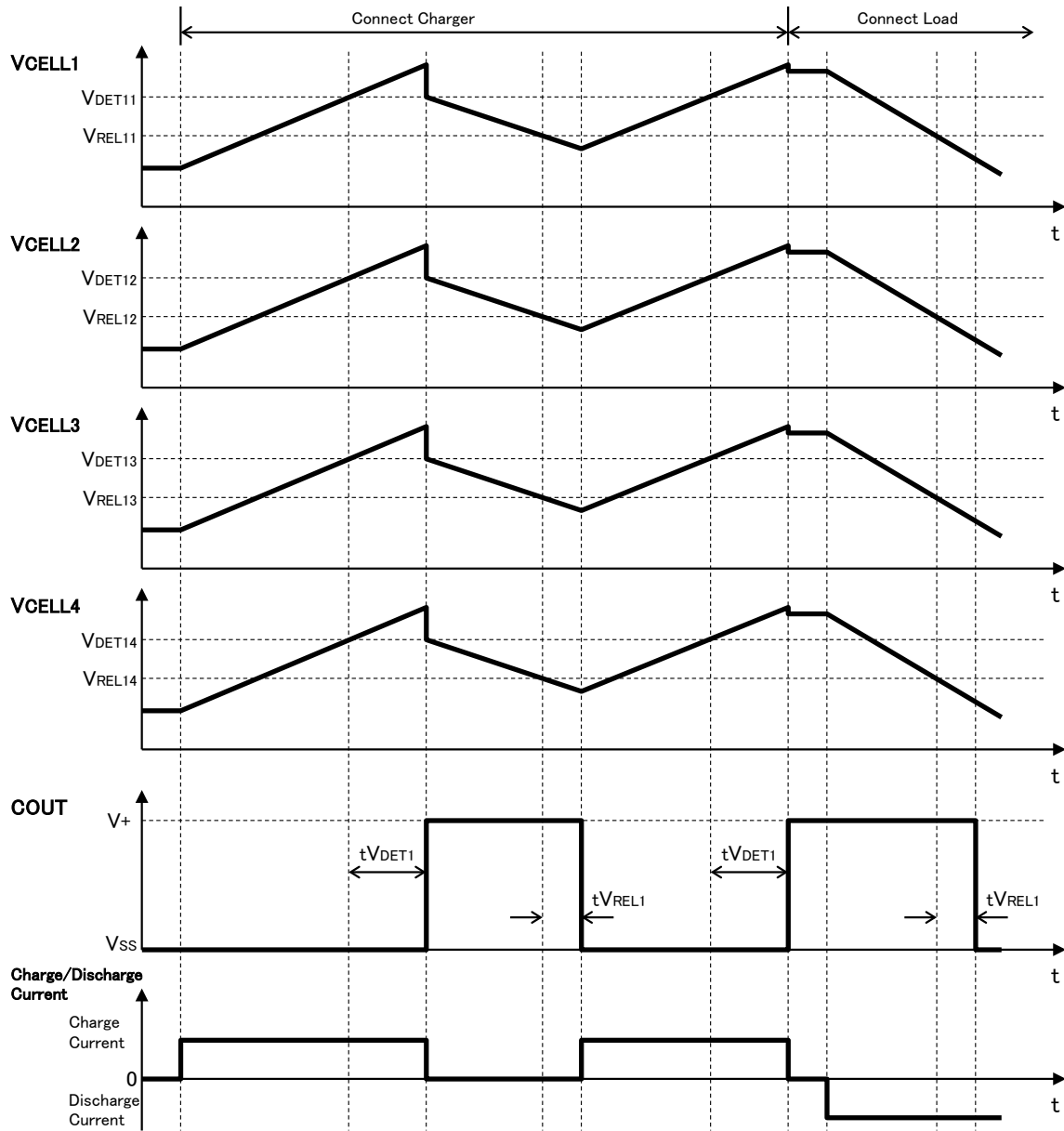
## THEORY OF OPERATION

### Overcharge Detector, $V_{DET1n}$ ( $n = 1, 2, 3, 4$ )

During charging, the device supervises the voltage between VC1 pin and VC2 pin ( $V_{CELL1}$ ), the voltage between VC2 pin and VC3 pin ( $V_{CELL2}$ ), the voltage between VC3 pin and VC4 pin ( $V_{CELL3}$ ), and the voltage between VC4 pin and VSS pin ( $V_{CELL4}$ ). If at least one of the cell voltages exceeds more than the overcharge detection voltage ( $V_{DET1n}$ ), the overcharge is detected, and an external charge control Nch. MOSFET turns on with COUT pin being at "High" level and by cutting a fuse on the charger path, and charge stops. If all the cell voltages become lower than the overcharge release voltage ( $V_{REL1n}$ ), the overcharge is released and COUT pin outputs "Low".

The device has internal fixed output delay times for overcharge detection, overcharge detection timer reset, and overcharge release. If the output delay time passes on when any one of cell voltages is more than  $V_{DET1n}$ , the overcharge is detected. In the case of Timer Reset Delay available version, if all the cell voltages become lower than  $V_{DET1n}$  within the overcharge detection delay time by noise or other reasons, the time period is less than overcharge detection timer reset delay time, the overcharge delay time is accumulated and maintained, and the accumulated delay time reaches the overcharge detection delay time, the overcharge is detected. After detecting overcharge, even if all the cell voltages reduce less than the release voltage, if at least one of the cells voltage exceeds more than the release voltage within the overcharge release delay time, then overcharge is not released.

The output type of the COUT pin is CMOS output between VSS and the built-in regulator, and "High" level of COUT pin is the output voltage of the built-in regulator.



Overcharge Operation Timing Chart

### Shutdown Function

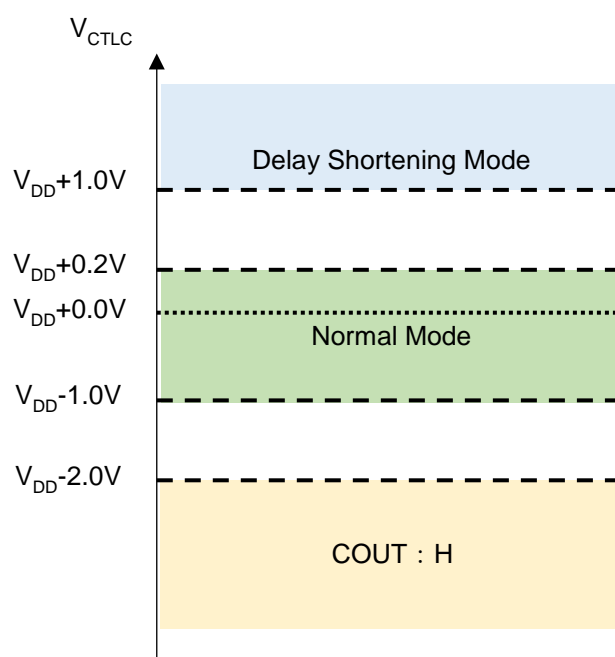
The voltage between VC1 pin and VC2 pin ( $V_{CELL1}$ ), the voltage between VC2 pin and VC3 pin ( $V_{CELL2}$ ), the voltage between VC3 pin and VC4 pin ( $V_{CELL3}$ ), and the voltage between VC4 pin and VSS pin ( $V_{CELL4}$ ) are supervised. If all of  $V_{CELLn}$  ( $n=1$  to 4) become less than the shutdown detection voltage, the device halts the operation, and the supply current (shutdown current) of the device can be reduced to the minimum. If one of  $V_{CELLn}$  ( $n=1$  to 4) becomes more than the shutdown detection voltage, the device will release from the shutdown state.

## CTLC Function

When expiring the CTLC detection delay time or more after applying the voltage of  $V_{DD}-2.0V$  or less to CTLC pin, the COUT pin outputs “High” level. Enabling/ disabling of this function in the shutdown state is user-selectable.

## Delay Shortening (DS)

Applying the voltage of  $V_{DD}+1.0V$  or more to the CTLC pin can shorten the overcharge detection delay time to a few millisecond (ms).



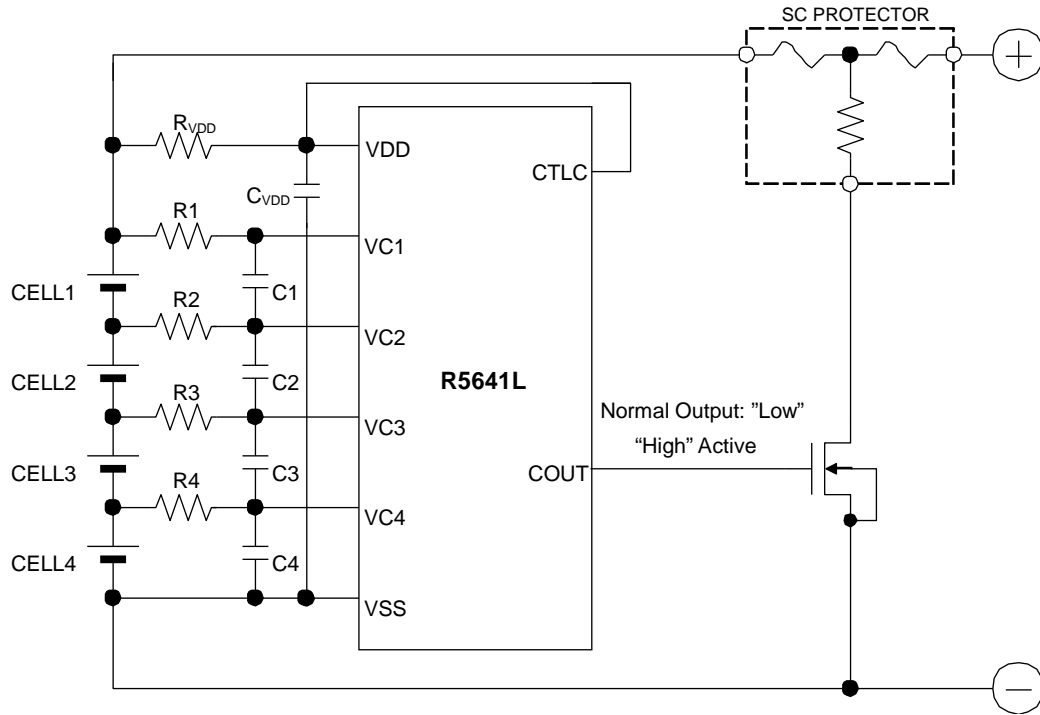
## Setting for 2- to 4-Cell Protection

By short-circuiting between cells, the device can meet as a protection IC for 2- / 3- / 4-cell placed in series. The following table indicates pins to short-circuit to VSS depending on cells protected.

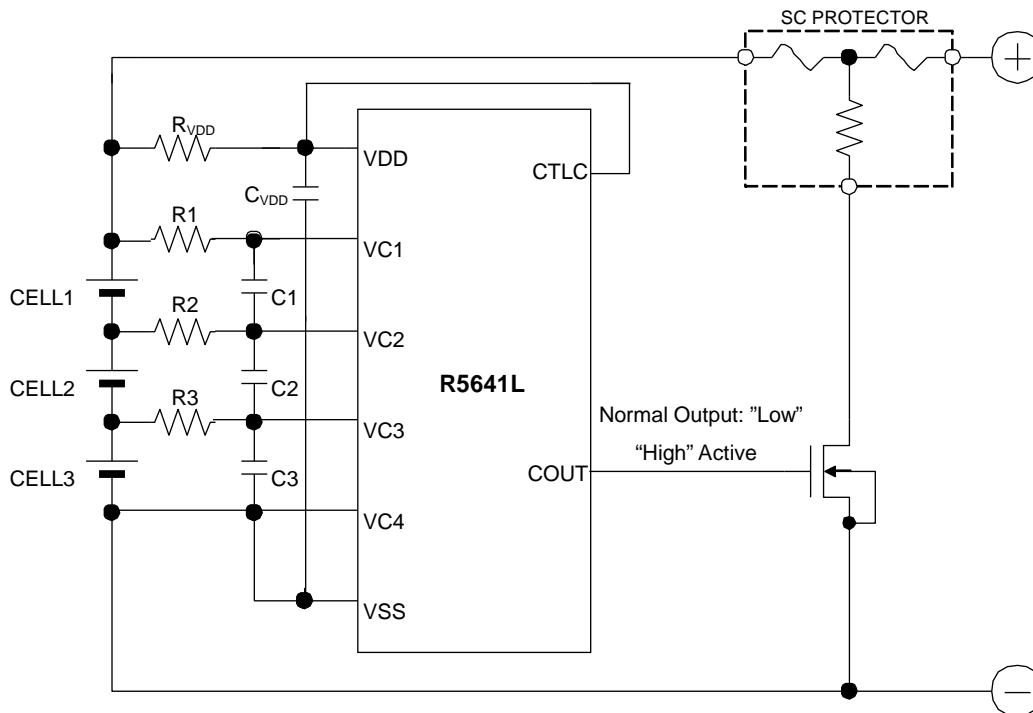
Protected Cells	Short-circuited Pins to VSS
2-cell Protection	VC3 and VC4 pins
3-cell Protection	VC4 pin
4-cell Protection	None (No short circuit)

# APPLICATION INFORMATION

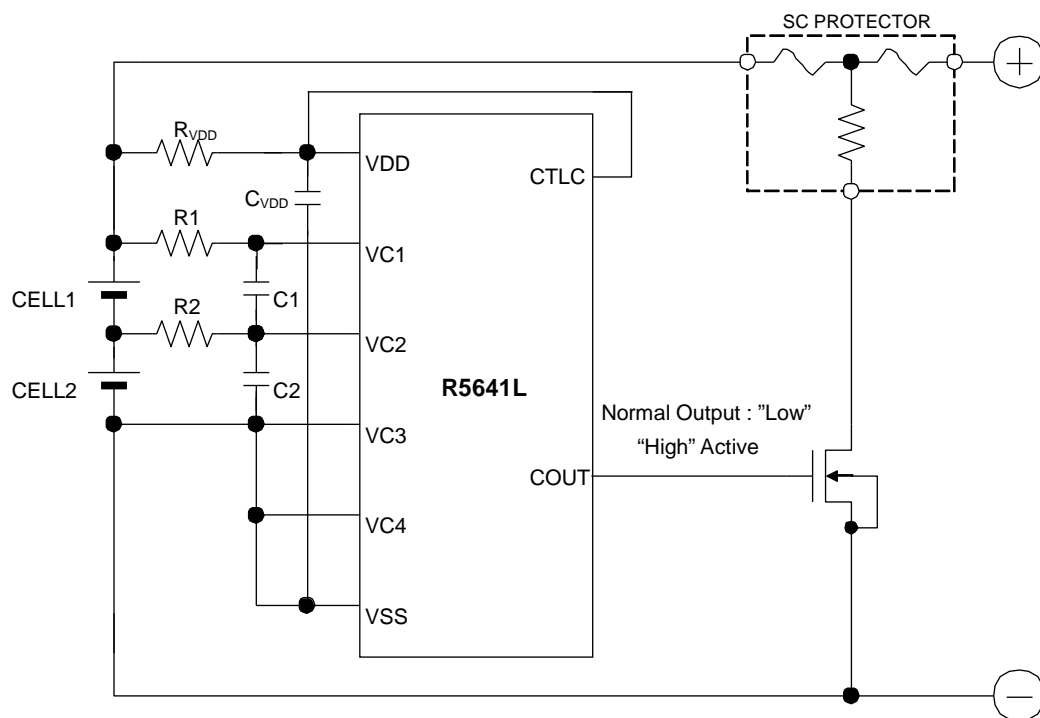
## Typical Application Circuits



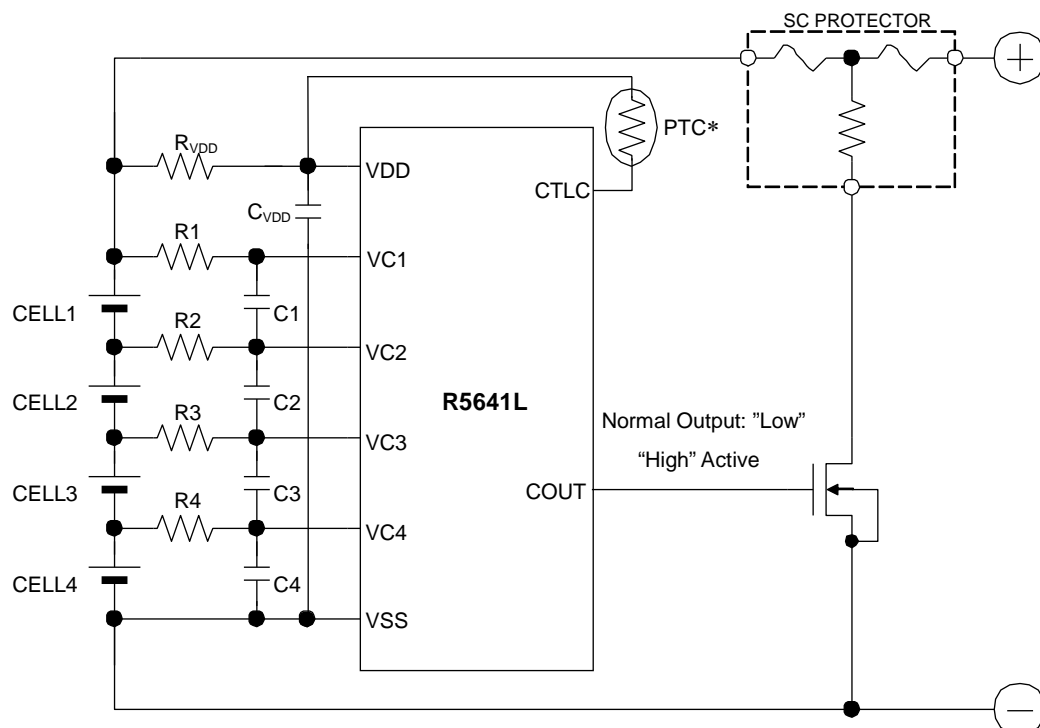
4-cell Protection Circuit



3-cell Protection Circuit



2-cell Protection Circuit



Temperature Protection Circuit

\* If using a PTC, connect the battery directly behind the PTC.

---

## R5641L

---

NO.EA-426-181212

### External Components

Symbol	Typ.	Permissible Range	Unit
$R_{VDD}$	100	100 to 1000	$\Omega$
R1 / R2 / R3 / R4	330	330 to 1000	$\Omega$
$C_{VDD}$	0.1	0.1 to 1.0	$\mu\text{F}$
C1 / C2 / C3 / C4	0.1	0.01 to 1	$\mu\text{F}$

### Technical Notes on Component Selection

- $R_{VDD}$  and  $C_{VDD}$  stabilize the voltage fluctuation. The IC might occur a malfunction by a current flowed depending on the battery voltage fluctuation when  $R_{VDD}$  is small, and it might occur an unexpected malfunction by a current flowed depending on the supply power voltage fluctuation when  $R_{VDD}$  is big. To make the IC stable, please connect a resistor and a capacitor within the permissible range to each of  $R_{VDD}$  and  $C_{VDD}$ .
- R1 to R4 resistors and C1 to C4 capacitors stabilize the voltage fluctuation. Since increasing their resistors make the detection voltage be higher by the conduction current at detection, the appropriate value of R1 to R4 must be less than 1k $\Omega$ . And, the appropriate value of C1 to C4 must be 0.01 $\mu\text{F}$  or more in order to make a stable operation of the IC.
- The typical application circuits are just examples and do not guarantee the operation. Conduct the sufficient evaluation in the actual application circuit in order to select external components.
- The protection IC and external components must not be applied overvoltage and overcurrent beyond the absolute maximum ratings. Especially, after detecting overcharge, a large heater current might flow through the MOSFET during the fuse blowout time. To prevent the MOSFET from being burnt, select a MOSFET with considering a current capacity of it.
- To connect the SC protector, connect the SC protector to the cell must be the last.

### Contact Information for Inquiries regarding SC PROTECTOR

Dexerials Corporation (Sony Chemical & Information Device Company Ltd.)  
Gate-city Osaki East Tower 8F, 1-11-2 Osaki, Shinagawa, Tokyo, 141-0032  
TEL: 03-5435-3946  
URL: <http://www.dexerials.jp>



The power dissipation of the package is dependent on PCB material, layout, and environmental conditions. The following measurement conditions are based on JEDEC STD. 51-7.

**Measurement Conditions**

Item	Measurement Conditions
Environment	Mounting on Board (Wind Velocity = 0 m/s)
Board Material	Glass Cloth Epoxy Plastic (Four-Layer Board)
Board Dimensions	76.2 mm × 114.3 mm × 0.8 mm
Copper Ratio	Outer Layer (First Layer): Less than 95% of 50 mm Square Inner Layers (Second and Third Layers): Approx. 100% of 50 mm Square Outer Layer (Fourth Layer): Approx. 100% of 50 mm Square
Through-holes	φ 0.3 mm × 23 pcs

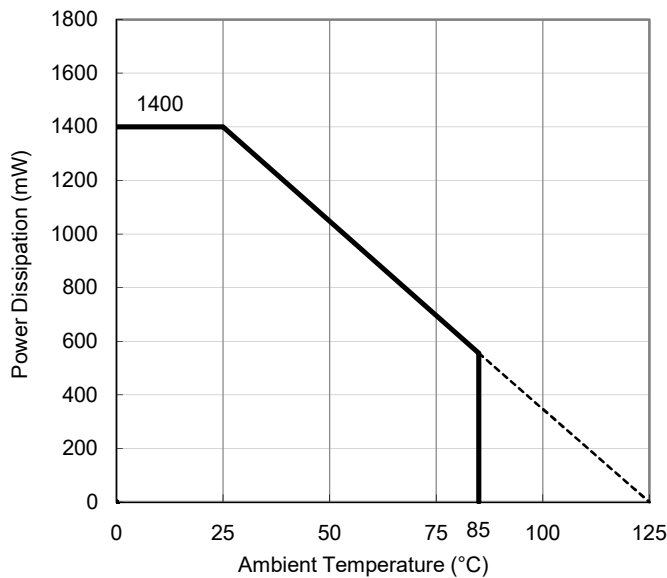
**Measurement Result**

(Ta = 25°C, Tjmax = 125°C)

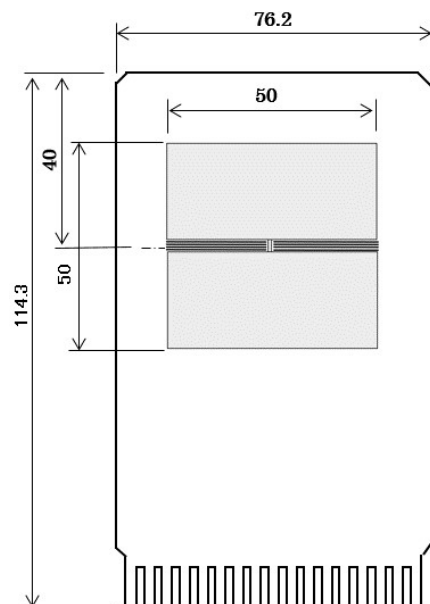
Item	Measurement Result
Power Dissipation	1400 mW
Thermal Resistance (θja)	θja = 71°C/W
Thermal Characterization Parameter (ψjt)	ψjt = 34°C/W

θja: Junction-to-Ambient Thermal Resistance

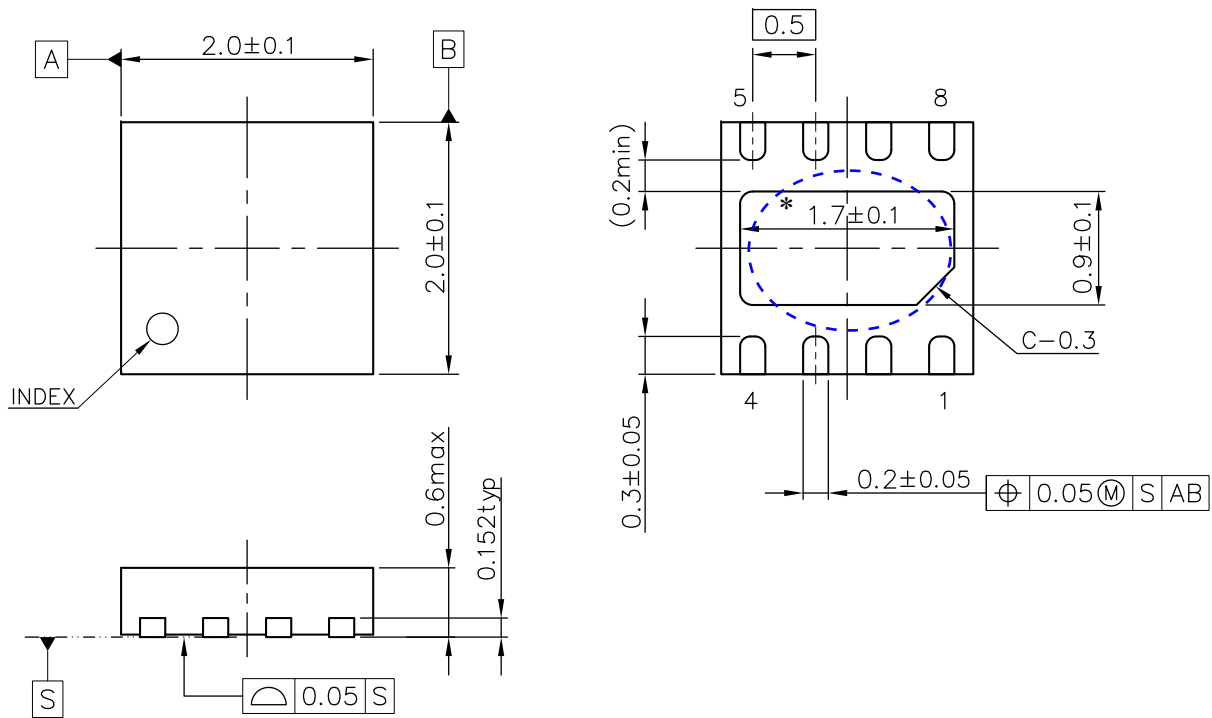
ψjt: Junction-to-Top Thermal Characterization Parameter



**Power Dissipation vs. Ambient Temperature**



**Measurement Board Pattern**



DFN2020-8C Package Dimensions (Unit: mm)

\* The tab on the bottom of the package shown by blue circle is a substrate potential (GND). It is recommended that this tab be connected to the ground plane on the board but it is possible to leave the tab floating.



1. The products and the product specifications described in this document are subject to change or discontinuation of production without notice for reasons such as improvement. Therefore, before deciding to use the products, please refer to Ricoh sales representatives for the latest information thereon.
2. The materials in this document may not be copied or otherwise reproduced in whole or in part without prior written consent of Ricoh.
3. Please be sure to take any necessary formalities under relevant laws or regulations before exporting or otherwise taking out of your country the products or the technical information described herein.
4. The technical information described in this document shows typical characteristics of and example application circuits for the products. The release of such information is not to be construed as a warranty of or a grant of license under Ricoh's or any third party's intellectual property rights or any other rights.
5. The products listed in this document are intended and designed for use as general electronic components in standard applications (office equipment, telecommunication equipment, measuring instruments, consumer electronic products, amusement equipment etc.). Those customers intending to use a product in an application requiring extreme quality and reliability, for example, in a highly specific application where the failure or misoperation of the product could result in human injury or death (aircraft, spacevehicle, nuclear reactor control system, traffic control system, automotive and transportation equipment, combustion equipment, safety devices, life support system etc.) should first contact us.
6. We are making our continuous effort to improve the quality and reliability of our products, but semiconductor products are likely to fail with certain probability. In order to prevent any injury to persons or damages to property resulting from such failure, customers should be careful enough to incorporate safety measures in their design, such as redundancy feature, fire containment feature and fail-safe feature. We do not assume any liability or responsibility for any loss or damage arising from misuse or inappropriate use of the products.
7. Anti-radiation design is not implemented in the products described in this document.
8. The X-ray exposure can influence functions and characteristics of the products. Confirm the product functions and characteristics in the evaluation stage.
9. WLCSP products should be used in light shielded environments. The light exposure can influence functions and characteristics of the products under operation or storage.
10. There can be variation in the marking when different AOI (Automated Optical Inspection) equipment is used. In the case of recognizing the marking characteristic with AOI, please contact Ricoh sales or our distributor before attempting to use AOI.
11. Please contact Ricoh sales representatives should you have any questions or comments concerning the products or the technical information.



**Ricoh is committed to reducing the environmental loading materials in electrical devices with a view to contributing to the protection of human health and the environment.**

Ricoh has been providing RoHS compliant products since April 1, 2006 and Halogen-free products since April 1, 2012.

**RICOH** RICOH ELECTRONIC DEVICES CO., LTD.

<https://www.e-devices.ricoh.co.jp/en/>

#### Sales & Support Offices

##### **Ricoh Electronic Devices Co., Ltd.**

##### **Shin-Yokohama Office (International Sales)**

2-3, Shin-Yokohama 3-chome, Kohoku-ku, Yokohama-shi, Kanagawa, 222-8530, Japan  
Phone: +81-50-3814-7687 Fax: +81-45-474-0074

##### **Ricoh Americas Holdings, Inc.**

675 Campbell Technology Parkway, Suite 200 Campbell, CA 95008, U.S.A.  
Phone: +1-408-610-3105

##### **Ricoh Europe (Netherlands) B.V.**

##### **Semiconductor Support Centre**

Prof. W.H. Keesomlaan 1, 1183 DJ Amstelveen, The Netherlands  
Phone: +31-20-5474-309

##### **Ricoh International B.V. - German Branch**

##### **Semiconductor Sales and Support Centre**

Oberrather Strasse 6, 40472 Düsseldorf, Germany  
Phone: +49-211-6546-0

##### **Ricoh Electronic Devices Korea Co., Ltd.**

3F, Haesung Bldg, 504, Teheran-ro, Gangnam-gu, Seoul, 135-725, Korea  
Phone: +82-2-2135-5700 Fax: +82-2-2051-5713

##### **Ricoh Electronic Devices Shanghai Co., Ltd.**

Room 403, No.2 Building, No.690 Bibo Road, Pu Dong New District, Shanghai 201203,  
People's Republic of China  
Phone: +86-21-5027-3200 Fax: +86-21-5027-3299

##### **Ricoh Electronic Devices Shanghai Co., Ltd.**

##### **Shenzhen Branch**

1205, Block D (Jinlong Building), Kingkey 100, Hongbao Road, Luohu District,  
Shenzhen, China  
Phone: +86-755-8348-7600 Ext 225

##### **Ricoh Electronic Devices Co., Ltd.**

##### **Taipei office**

Room 109, 10F-1, No.51, Hengyang Rd., Taipei City, Taiwan  
Phone: +886-2-2313-1621/1622 Fax: +886-2-2313-1623